

## VEGADIF 85

4 ... 20 mA/HART

Differential pressure transmitter with metallic measuring diaphragm



### Technical data

Measuring ranges	+0.01 ... +16 bar/+1 ... +1600 kPa (+0.145 ... +232 psig)
Smallest adjustable span	1 mbar/100 Pa (0.015 psig)
Deviation	< ±0.065 %
Process fitting - basic version	¼-18 NPT according to IEC 61518
Process fitting with chemical seals	Flanges from DN 32 or 2", hygienic fittings from DN 32 or 2"
Process temperature - basic version	-40 ... +85 °C (-40 ... +185 °F)
Process temperature with chemical seals	-40 ... +400 °C (-40 ... +752 °F)
Process pressure	-1 ... +400 bar/-100 ... +40000 kPa (-14.5 ... +6092 psig)
Ambient, storage and transport temperature	-40 ... +80 °C (-40 ... +176 °F)
Operating voltage	11 ... 35 V DC

### Application area

The VEGADIF 85 differential pressure transmitter is used universally for measurement of liquids, gases and vapours. Typical applications are level measurements in pressurized vessels as well as flow measurements in combination with DP flow elements. Further applications are pressure monitoring on filters as well as density and interface measurements.

### Your benefit

- Measurement of extremely small differential pressures through high precision measured value detection
- High reliability through integrated overload system
- Versatile use through a variety of measuring ranges and process fittings

### Function

A metallic measuring cell is used as sensor element. The process pressures are transmitted via the separating diaphragms and an oil filling to a piezoresistive sensor element (resistance measuring bridge using semiconductor technology).

The difference between the acting pressures changes the bridge voltage. This change is measured, further processed and converted into a corresponding output signal.

In addition, the measuring cell temperature and the static pressure are measured on the low pressure side. The measuring signals are further processed and are available as additional output signals.

### Materials

The process flanges are made of stainless steel 316L. The process diaphragm is available in 316L and in the high resistance materials such as Alloy C276 and Tantalum.

You will find a complete overview of the available materials and seals in the "Configurator" at [www.vega.com](http://www.vega.com) and "Products".

### Housing versions

The housings are available as single chamber or double chamber version in plastic, aluminium or stainless steel.

They are available in protection ratings up to IP 68 (25 bar) with external electronics as well as in IP 69K.

### Electronics versions

Apart from the two-wire electronics with 4 ... 20 mA or 4 ... 20 mA/HART, also purely digital versions with Profibus PA, Foundation Fieldbus and Modbus are available.

### Supplementary electronics

For instruments with double chamber housing two supplementary electronics such as radio module, a second current output or a power pack are available.

### Approvals

The instruments are suitable for use in hazardous areas and are approved e.g. according to ATEX and IEC. The instruments also have various ship approvals such as e.g. GL, LRS or ABS.

You can find detailed information on [www.vega.com/downloads](http://www.vega.com/downloads) with the respective product under "Approval".

### Adjustment

#### Adjustment on the measurement loop

The adjustment of the instrument is carried out via the optional display and adjustment module PLICSCOM or via a PC with the adjustment software PACTware and corresponding DTM.

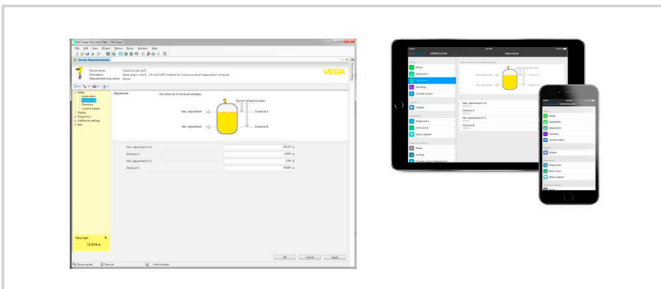
#### Wireless adjustment via Bluetooth

The Bluetooth version of display and adjustment module enables a wireless connection to standard adjustment units. This can be smartphones/tablets with iOS or Android operating system or PCs with PACTware and Bluetooth USB adapter.



Wireless connection to standard operating devices

Adjustment is hence carried out via a free-of-charge app from the Apple App Store or the Google Play Store or the adjustment software PACTware and respective DTM.

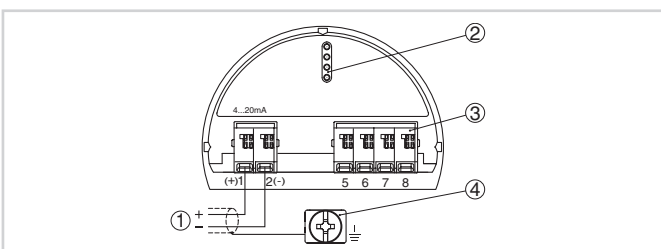


Adjustment via PACTware or app

#### Adjustment via remote systems

Further adjustment options are possible via a HART Communicator as well as manufacturer-specific programs such as AMS™ or PDM.

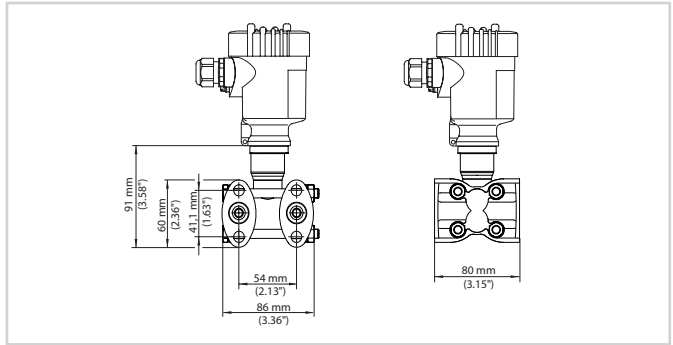
### Electrical connection



Electronics and connection compartment, single chamber housing

- 1 Voltage supply/Signal output
- 2 For display and adjustment module or interface adapter
- 3 For external display and adjustment unit
- 4 Ground terminal for connection of the cable screening

### Dimensions



Dimensions VEGADIF 85

### Information

You can find further information about the VEGA product line on [www.vega.com](http://www.vega.com).

In the download section at [www.vega.com/downloads](http://www.vega.com/downloads) you'll find operating instructions, product information, brochures, approval documents, instrument drawings and much, much more.

There, you will also find GSD and EDD files for Profibus PA systems as well as DD and CFF files for Foundation Fieldbus systems.

### Instrument selection

Under "*Specify product*" on [www.vega.com](http://www.vega.com) and "*Products*" you can select the suitable measuring principle and instrument for your application.

You can find detailed information on the instrument versions in the "*Configurator*" at [www.vega.com](http://www.vega.com) and "*Products*".

### Contact

You can find your personal contact person at VEGA on our homepage [www.vega.com](http://www.vega.com) and "*Contact*".